



# 一、微調電阻系列技術規格書

Common Specification For Semi-Fixed Potentiometers

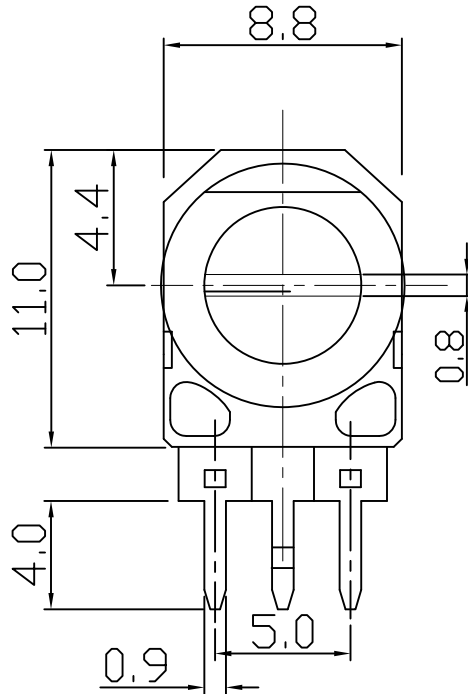
1. 電器性能 (Electrical Characteristic)				
序号	項目		特性	
1.1	全阻抗值 (Total Resistance)		100 Ω ~ 5M Ω	
1.2	全阻抗值允許偏差 (Total Resistance Tolerance)		± 10%, ± 20%	
1.3	電阻隨溫度變化特性 (Resistance of temperature Change character)		20℃~75℃: ΔR/R ≤ ± 5%, -25℃~20℃: ΔR/R ≤ ± 4.5%	
1.4	阻值變化特性 (Resistance Taper)		B	
1.5	零位阻值 (Residual Resistance)		R ≤ 10K 10 Ω Max R > 10K 1% Max.	
1.6	額定功率 (Rated Power)		0.5W	
1.7	最高使用電壓 (Max. Operating Voltage)		AC 250V	
1.8	動雜音 (Rotational Noise)		/	
1.11	潮濕環境下負載性能 (Load Life In Humidity)		20% Max 350 hours rated in 90% RH 40℃	
2. 機械性能 (Mechanical Characteristics)				
2.1	全回轉角度 (Rotation Angle)		250° ± 10°	
2.2	旋轉力矩 (Rotation Torque)		40~250gf. cm	
2.3	轉動止檔強度 (Rotational Stop-End Torque)		1kgf. cm. max	
2.4	焊錫耐熱性 (Resistance to soldering heat)		245 ± 5℃ and less than 3 seconds	
3. 耐久性能 (Durability)				
3.1	回轉壽命 (Rotation Life)		± 5% Max. for 200 rotations	
4. 外形尺寸圖/曲線特性圖 (Shape size drawing/curve characteristic drawing)			見附頁 (Please see attachment)	
批 准		審 核		設 計



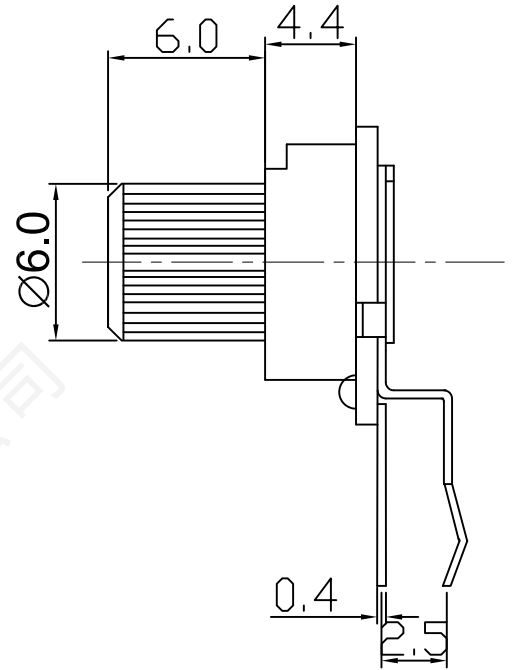
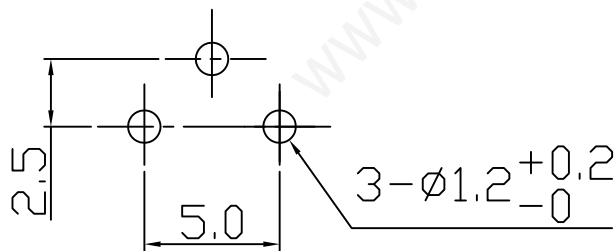
東莞市雅弧電子有限公司  
DongGuan YaHu Electronic Co., Ltd.



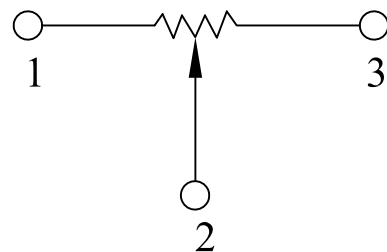
# 外形圖 Mechanical Dimensions



安裝孔位置圖  
Mounting Hole



接線圖  
Circuit Explanation



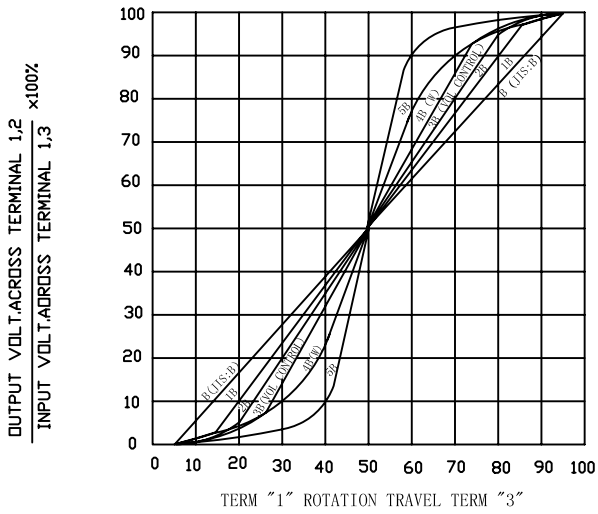
3				PRODUCT NAME	08mm Trimmer Potentiometers		
2				MODEL NAME	SC083-6A-50k		
1				APPROVED BY	CHECKED BY	DRAWN BY	
NO	DATE	DESCRIPTION					
		DIMENSION	TOLERANCE	SCALE	3:1		
		$l \leq 10$	$\pm 0.2$	UNIT	mm		
		$10 < l \leq 30$	$\pm 0.5$	VER.			
		$30 < l \leq 100$	$\pm 1.0$	DATE	07/06/03		



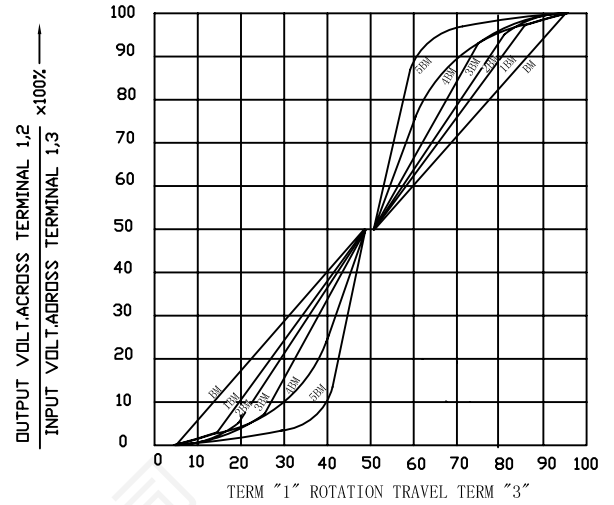


# RESISTANCE TAPER

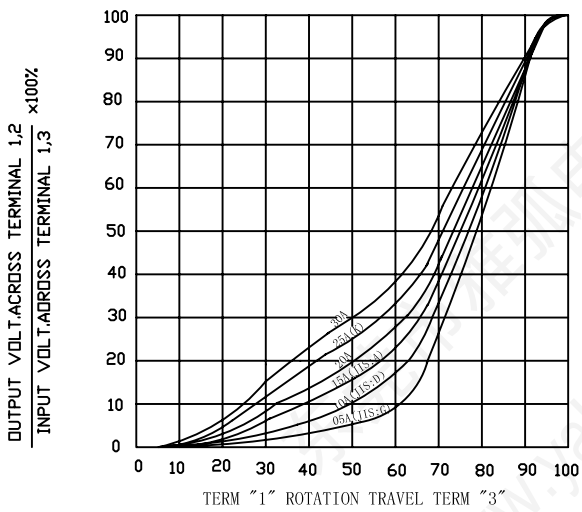
TAPER B SERIES



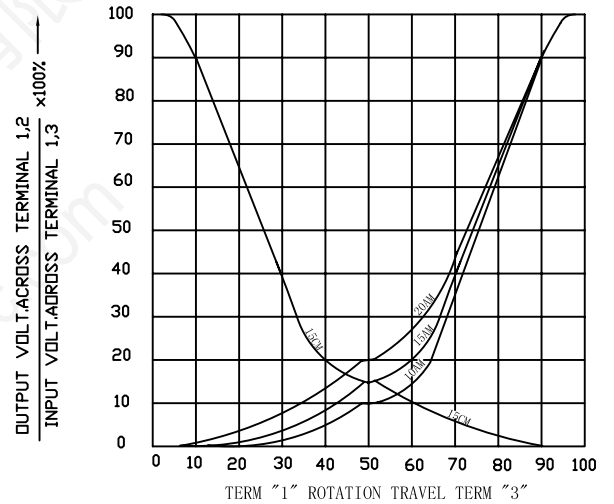
TAPER B WITH 50% TAP



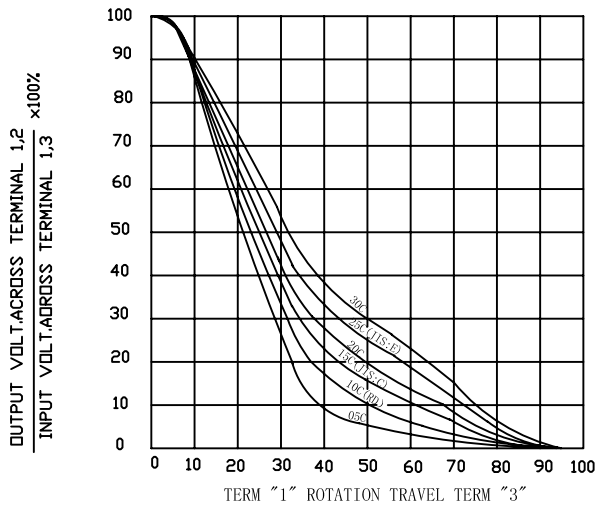
TAPER A SERIES



TAPER A & C WITH 50% TAP



TAPER C SERIES



TAPER M & N SERIES

