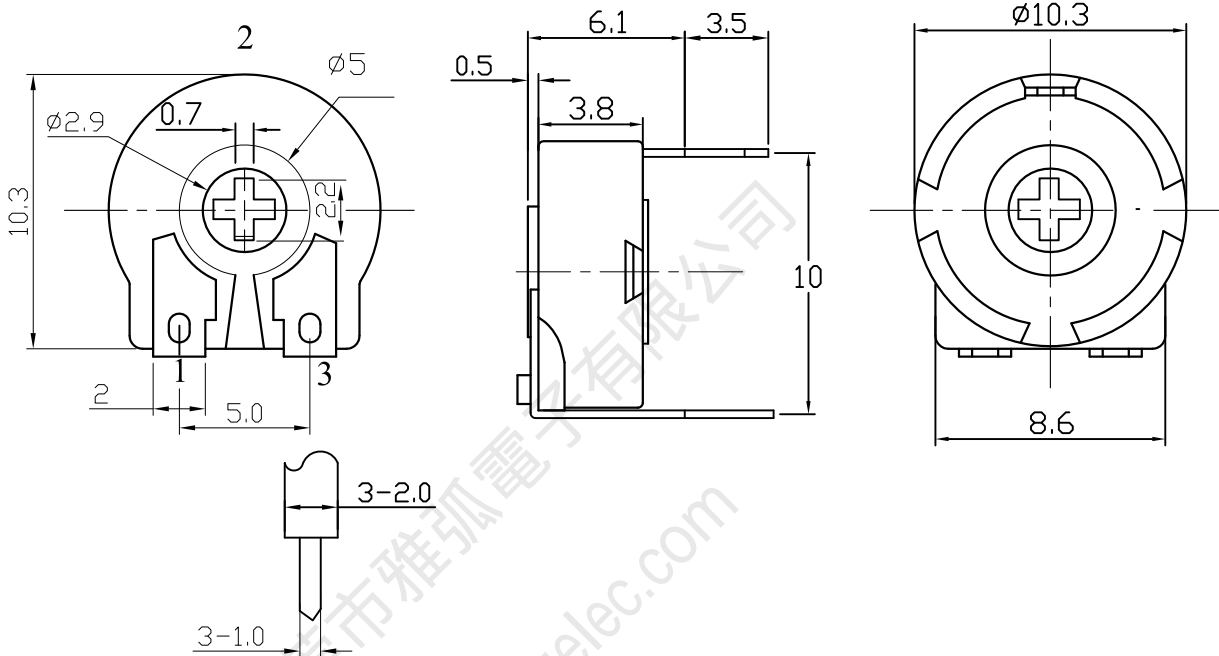


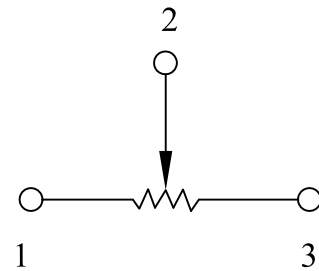
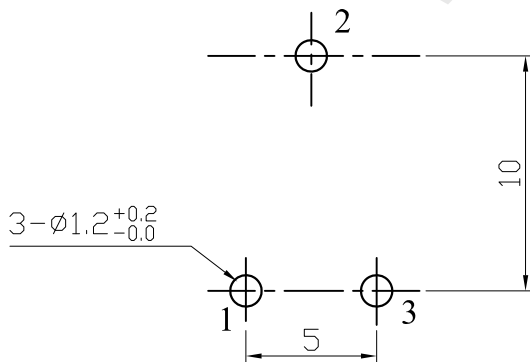


外形圖 Mechanical Dimensions



安裝孔位置圖
Mounting Hole

接線圖
Circuit Explanation



3				PRODUCT NAME	Semi-fixed Potentiometers		
2							
1				MODEL NAME	SB105-4-Value		
NO	DATE	DESCRIPTION		APPROVED BY	CHECKED BY	DRAWN BY	
		DIMENSION	TOLERANCE	SCALE	3:1		
		$l \leq 10$	± 0.2	UNIT	mm		
		$10 < l \leq 30$	± 0.5	VER.			
		$30 < l \leq 100$	± 1.0	DATE	07/06/07		

R & D
 2011.12.30
 Lisa



一、微調電阻系列技術規格書

Common Specification For Semi-Fixed Potentiometers

1. 電器性能 (Electrical Characteristic)				
序号	項目			特性
1.1	全阻抗值 (Total Resistance)			1KΩ ~ 2M
1.2	全阻抗值允許偏差 (Total Resistance Tolerance)			±20%
1.3	阻值變化特性 (Resistance Taper)			A, B
1.4	零位阻值 (Residual Resistance)			Term 1~2: Less than 20Ω Term 2~3: Less than 20Ω
1.5	額定功率 (Rated Power)			Carbon Film Type 0.15W
1.6	最高使用電壓 (Max. Operating Voltage)			DC 200V
1.7	耐電壓 (Withstand Voltage)			1 minute at DC 200V
1.8	耐溫特性 (Temperature Characteristic)			-25℃ ~ 70℃: ΔR/R ≤ ±8%
1.9	潮濕環境下負載性能 (Load Life In Humidity)			<u>20%</u> Max <u>350</u> hours rated in <u>90%</u> RH <u>40</u> ℃
2. 機械性能 (Mechanical Characteristics)				
2.1	全回轉角度 (Rotation Angle)			235° ± 10°
2.2	旋轉力矩 (Rotation Torque)			10 ~ 150gf.cm
2.3	轉動止檔強度 (Rotational Stop-End Torque)			≥ 0.5Kgf.cm. max
2.4	焊錫耐熱性 (Resistance to soldering heat)			<u>260 ± 5</u> ℃ and less than <u>3 ± 1</u> seconds
3. 耐久性能 (Durability)				
3.1	回轉壽命 (Rotation Life)			10,000 cycles min
4. 外形尺寸圖/曲線特性圖 (Shape size drawing/curve characteristic drawing)				見附頁 (Please see attachment)
5				
批 准		審 核		設 計



