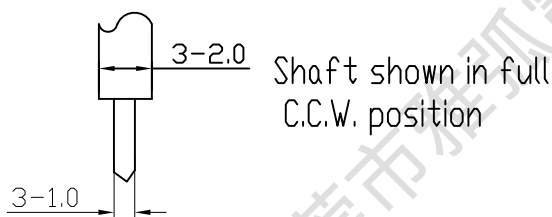
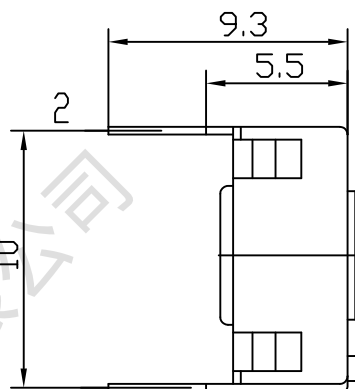
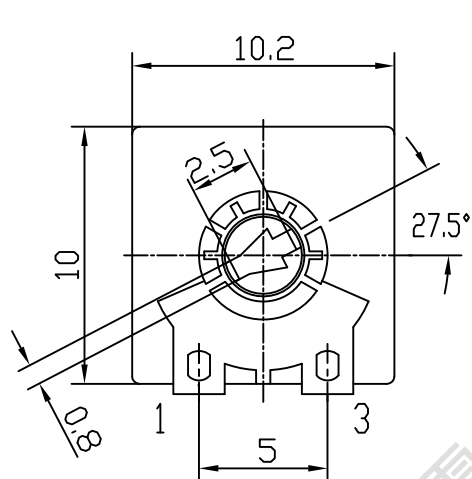


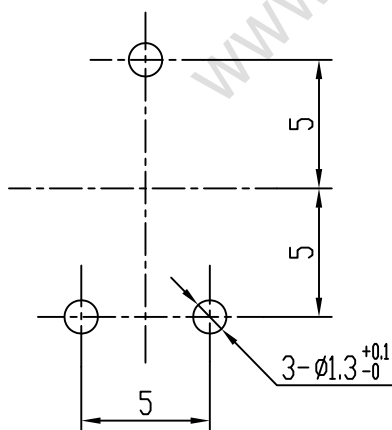


外形圖 Mechanical Dimensions

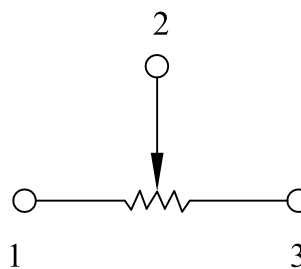


Shaft shown in full C.C.W. position

安裝孔位置圖
Mounting Hole



接線圖
Circuit Explanation



東莞市雅弧電子有限公司 DongGuan YaHu Electronic Co.,Ltd.				PRODUCT NAME	Semi-Fixed Potentiometers		
2				MODEL NAME	CA095-1-Value		
1							
NO	DATE	DESCRIPTION		APPROVED BY	CHECKED BY	DRAWN BY	
DIMENSION	TOLERANCE	SCALE	3 : 1				
$l \leq 10$	± 0.2	UNIT	mm				
$10 < l \leq 30$	± 0.5	VER.					
$30 < l \leq 100$	± 1.0	DATE	07/06/07				



一、微調電阻系列技術規格書

Common Specification For Semi-Fixed Potentiometers

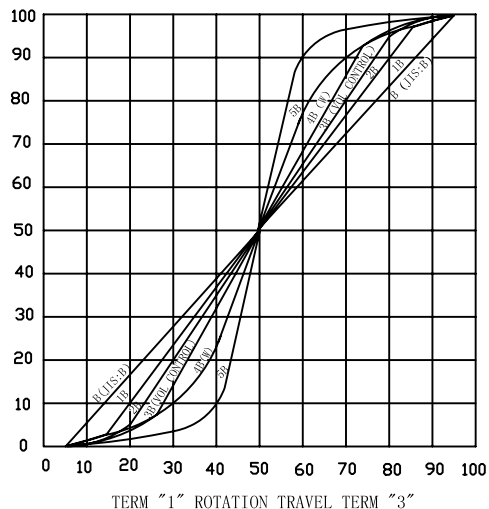
1. 電器性能 (Electrical Characteristic)				
序号	項目			特性
1.1	全阻抗值 (Total Resistance)			1KΩ ~ 2M
1.2	全阻抗值允許偏差 (Total Resistance Tolerance)			± 20%
1.3	阻值變化特性 (Resistance Taper)			A, B
1.4	零位阻值 (Residual Resistance)			Term 1~2: Less than 20Ω Term 2~3: Less than 20Ω
1.5	額定功率 (Rated Power)			Carbon Film Type 0.15W
1.6	最高使用電壓 (Max. Operating Voltage)			DC 200V
1.7	耐電壓 (Withstand Voltage)			1 minute at DC 200V
1.8	耐溫特性 (Temperature Characteristic)			-25℃ ~ 70℃: ΔR/R ≤ ± 8%
1.9	潮濕環境下負載性能 (Load Life In Humidity)			<u>20%</u> Max <u>350</u> hours rated in <u>90%</u> RH <u>40</u> ℃
2. 機械性能 (Mechanical Characteristics)				
2.1	全回轉角度 (Rotation Angle)			235° ± 10°
2.2	旋轉力矩 (Rotation Torque)			10 ~ 150gf. cm
2.3	轉動止檔強度 (Rotational Stop-End Torque)			≥ 0.5Kgf. cm. max
2.4	焊錫耐熱性 (Resistance to soldering heat)			<u>260 ± 5</u> ℃ and less than <u>3 ± 1</u> seconds
3. 耐久性能 (Durability)				
3.1	回轉壽命 (Rotation Life)			10,000 cycles min
4. 外形尺寸圖/曲線特性圖 (Shape size drawing/curve characteristic drawing)				見附頁 (Please see attachment)
5				
批 准		審 核		設 計

RESISTANCE TAPER



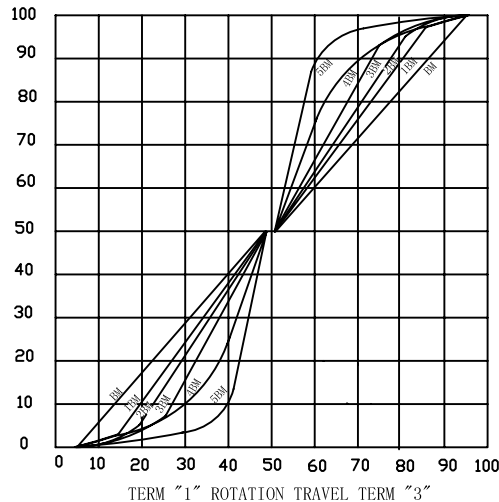
TAPER B SERIES

$$\frac{\text{OUTPUT VOLT.ACROSS TERMINAL 1,2}}{\text{INPUT VOLT.ACROSS TERMINAL 1,3}} \times 100\%$$



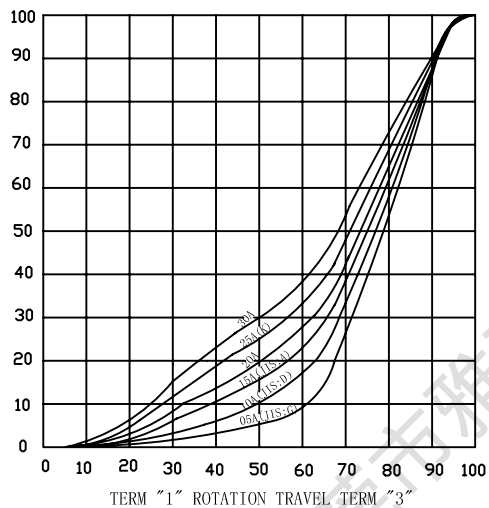
TAPER B WITH 50% TAP

$$\frac{\text{OUTPUT VOLT.ACROSS TERMINAL 1,2}}{\text{INPUT VOLT.ACROSS TERMINAL 1,3}} \times 100\%$$



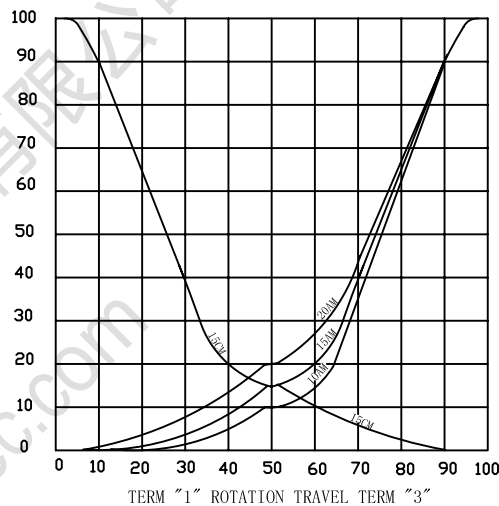
TAPER A SERIES

$$\frac{\text{OUTPUT VOLT.ACROSS TERMINAL 1,2}}{\text{INPUT VOLT.ACROSS TERMINAL 1,3}} \times 100\%$$



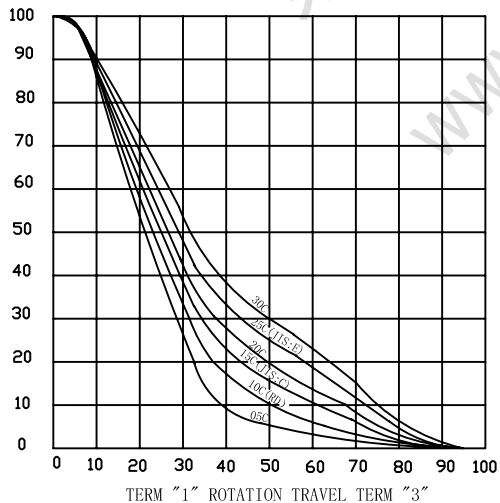
TAPER A & C WITH 50% TAP

$$\frac{\text{OUTPUT VOLT.ACROSS TERMINAL 1,2}}{\text{INPUT VOLT.ACROSS TERMINAL 1,3}} \times 100\%$$



TAPER C SERIES

$$\frac{\text{OUTPUT VOLT.ACROSS TERMINAL 1,2}}{\text{INPUT VOLT.ACROSS TERMINAL 1,3}} \times 100\%$$



TAPER M & N SERIES

$$\frac{\text{OUTPUT VOLT.ACROSS TERMINAL 1,2}}{\text{INPUT VOLT.ACROSS TERMINAL 1,3}} \times 100\%$$

$$\frac{\text{OUTPUT VOLT.ACROSS TERMINAL 1,2}}{\text{INPUT VOLT.ACROSS TERMINAL 1,3}} \times 100\%$$

