



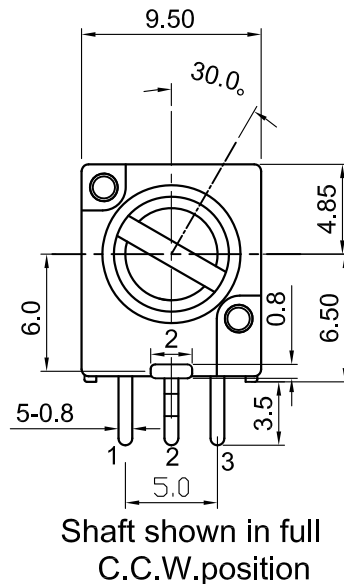
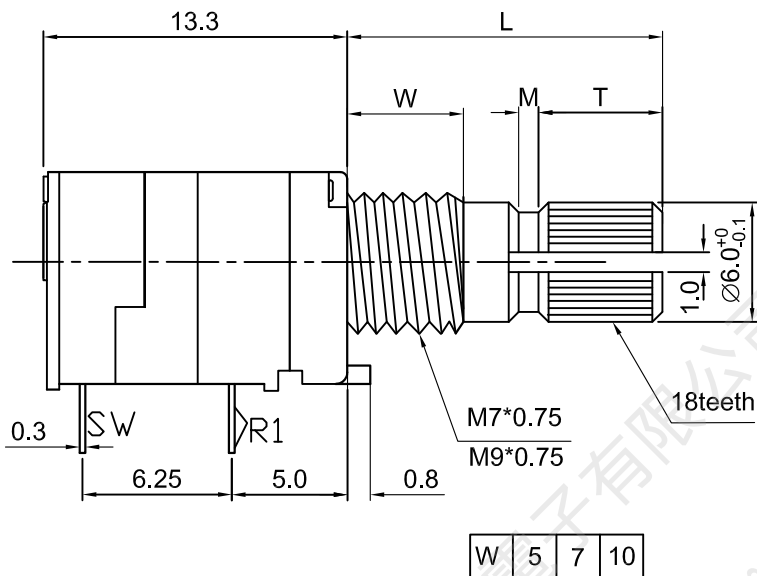
一、旋轉式電位器系列技術規格書

Rotary Series Potentiometers Technic Specifications

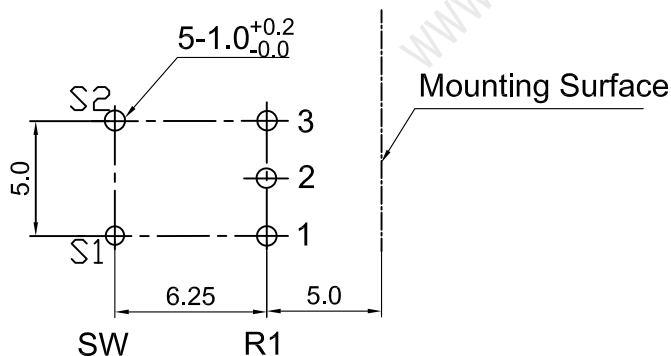
1. 電氣性能 (Electrical Characteristic)					
序号	項目			特性	
1.1	全阻抗值 (Total Resistance)			500Ω~2MΩ	
1.2	全阻抗值允許偏差 (Total Resistance Tolerance)			±10% ±20%	
1.3	電阻隨溫度變化特性 (Resistance of temperature change character)			20°C-75°C:ΔR/R≤±5%, -25°C-20°C:ΔR/R≤±4.5%	
1.4	阻值變化特性 (Resistance Taper)			A, B, C	
1.5	零位阻值 (Residual Resistance)			R≥250KΩ 0.1%max.of total resistance 250KΩ>R>10KΩ 20Ω 10KΩ≥R 10Ω max.	
1.6	額定功率 (Rated Power)			B taper 0.05W, Other taper 0.025W	
1.7	最高使用電壓 (Max.Operating Voltage)			B taper 50V AC, Other taper 25V AC	
1.8	動雜音 (Rotational Noise)			Less Than 100mV	
1.9	絕緣阻抗 (Insulation Resistance)			100MΩ Min.at 250V DC	
1.10	耐電壓 (WithStand Voltage)			For 1 minute at:AC250V	
1.11	開關額定功率 (Rated Power)			1A at DC 16V	
1.12	同步誤差 (Gang Error)			/	
2. 機械性能 (Mechanical Characteristics)					
2.1	全回轉角度 (Rotation Angle)			300°±10°	
2.2	旋轉力矩 (Rotation Torque)			10 ~ 200gf.cm	
2.3	軸的拉、押強度 (Pull-Push Strength)			4Kgf	
2.4	轉動止檔強度 (Rotational Stop-End Torque)			3kgf.cm	
2.5	開關角度(Switch Working Angel)			≤50°	
2.6	開關力矩(Switch Working Torque)			≤500gf.cm	
2.7	焊錫耐熱性 (Resistance To Soldering Heat)			<u>260±5°C</u> and less than <u>3</u> seconds	
3. 耐久性能 (Durability)					
3.1	回轉壽命 (Rotation Life)			10,000Cycles	
4. 外形尺寸圖/曲線特性圖 (Shape size drawing/curve charcteristic drawing)					
(Please see atlachment)					
批 准			審 核		
				設 計	



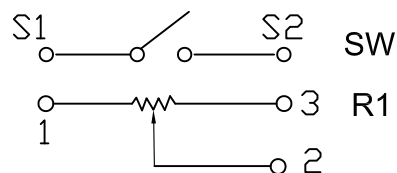
外形圖 Mechanical Dimensions



安裝孔位置圖
Mounting Hole



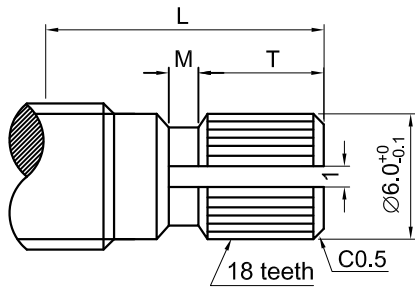
接線圖
Circuit Explanation



DongGuan YaHu Electronic Co.,Ltd.				PRODUCT NAME	Rotary Potentiometers	
2				MODEL NAME	RV0910NS- <input type="checkbox"/> A1-Value X	
1						
NO	DATE	DESCRIPTION				
DIMENSION	TOLERANCE	SCALE		APPROVED BY	CHECKED BY	DRAWN BY
$l \leq 10$	± 0.2	UNIT	mm			
$10 < l \leq 30$	± 0.5	VER.				
$30 < l \leq 100$	± 1.0	DATE	08/06/01			



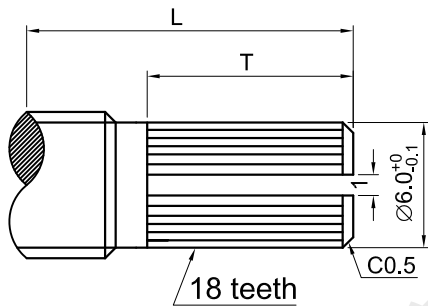
RV09 SERIES SHAFT TYPE



車軸

KQ TYPE:

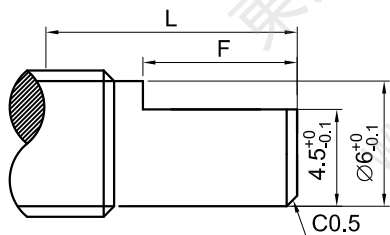
X	0	1	2	4	5
L	10	12	15	20	25
T	3.5	5	6.0	12	12
M	0.5	0.5	0.5	1	2



壓鑄軸

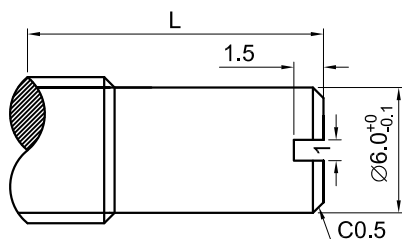
KA TYPE:

X	0	1	2	4	5	
L	10	12	15	20	25	
T	1.5	3.5	6.5	11.5	14	



F TYPE:

X	A	C	D	Y	H	E	F	M
L	15	20	25	12	10	14.5	12.5	32
F	7	12	12	5	3.5	7.5	6	14



S TYPE:

X	P	K	Q	R	S	
L	10	12	15	20	25	

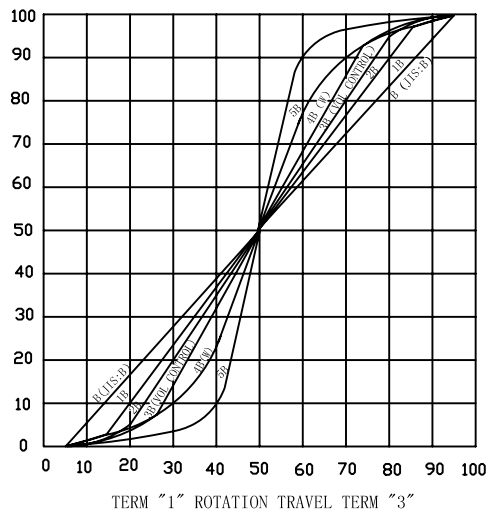


RESISTANCE TAPER



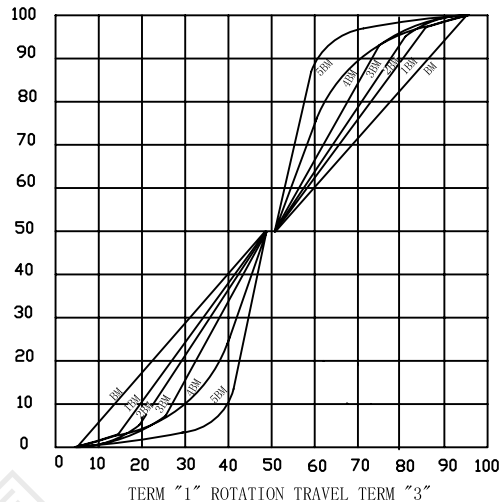
TAPER B SERIES

$$\frac{\text{OUTPUT VOLT.ACROSS TERMINAL 1,2}}{\text{INPUT VOLT.ACROSS TERMINAL 1,3}} \times 100\%$$



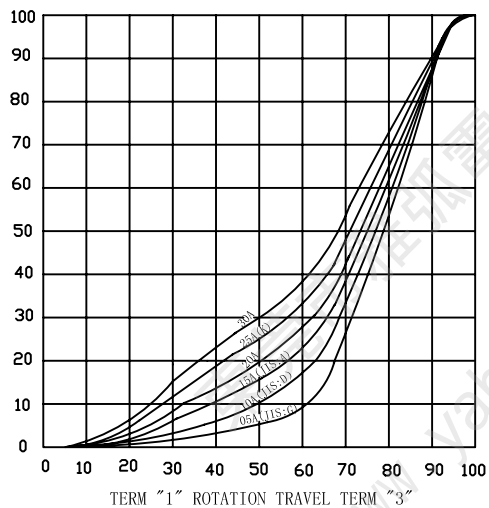
TAPER B WITH 50% TAP

$$\frac{\text{OUTPUT VOLT.ACROSS TERMINAL 1,2}}{\text{INPUT VOLT.ACROSS TERMINAL 1,3}} \times 100\%$$



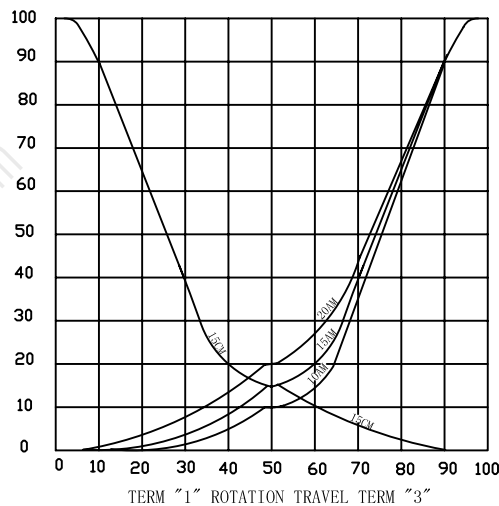
TAPER A SERIES

$$\frac{\text{OUTPUT VOLT.ACROSS TERMINAL 1,2}}{\text{INPUT VOLT.ACROSS TERMINAL 1,3}} \times 100\%$$



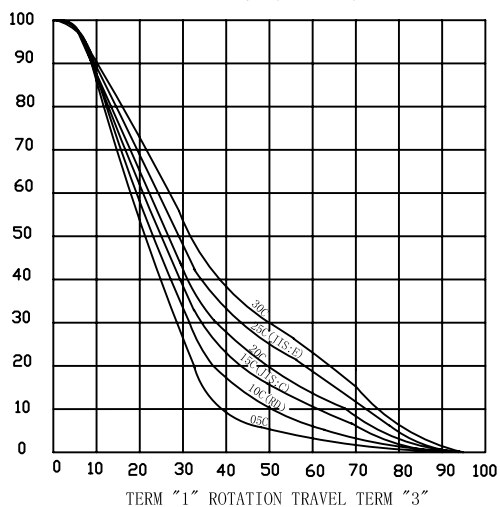
TAPER A & C WITH 50% TAP

$$\frac{\text{OUTPUT VOLT.ACROSS TERMINAL 1,2}}{\text{INPUT VOLT.ACROSS TERMINAL 1,3}} \times 100\%$$



TAPER C SERIES

$$\frac{\text{OUTPUT VOLT.ACROSS TERMINAL 1,2}}{\text{INPUT VOLT.ACROSS TERMINAL 1,3}} \times 100\%$$



TAPER M & N SERIES

$$\frac{\text{OUTPUT VOLT.ACROSS TERMINAL 1,2}}{\text{INPUT VOLT.ACROSS TERMINAL 1,3}} \times 100\%$$

$$\frac{\text{OUTPUT VOLT.ACROSS TERMINAL 1,2}}{\text{INPUT VOLT.ACROSS TERMINAL 1,3}} \times 100\%$$

