

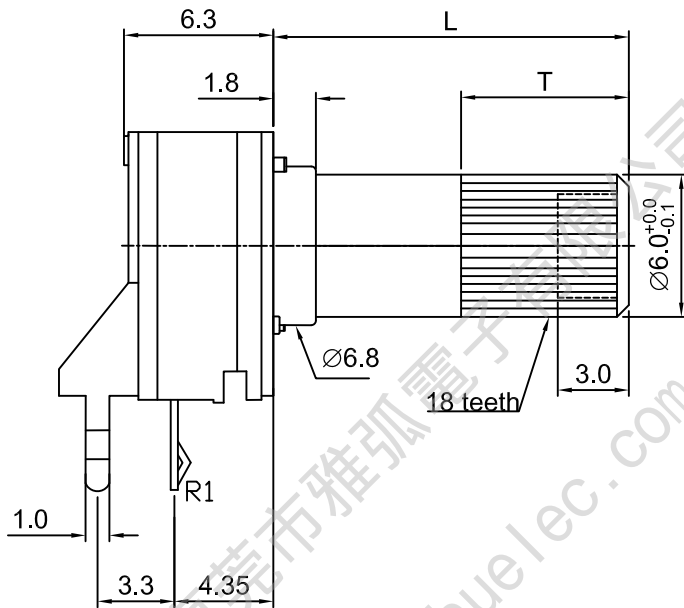
一、旋轉式電位器系列技術規格書

Rotary Series Potentiometers Technic Specifications

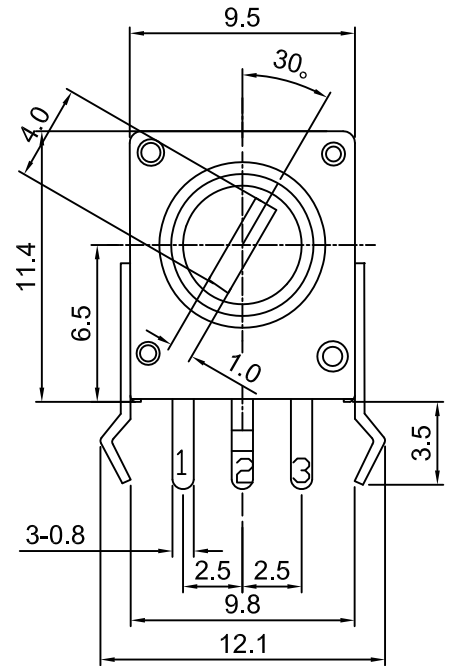
1. 電氣性能 (Electrical Characteristic)					
序号	項目			特性	
1.1	全阻抗值 (Total Resistance)			1KΩ~2MΩ	
1.2	全阻抗值允許偏差 (Total Resistance Tolerance)			±10%, ±20%	
1.3	電阻隨溫度變化特性 (Resistance of temperature change character)			20°C-75°C:ΔR/R≤±5%, -25°C-20°C:ΔR/R≤±4.5%	
1.4	阻值變化特性 (Resistance Taper)			A, B, C	
1.5	零位阻值 (Residual Resistance)			R≥250KΩ 0.1%max.of total resistance 250KΩ>R>10KΩ 20Ω 10KΩ≥R 10Ω max.	
1.6	額定功率 (Rated Power)			B taper 0.05W, Other taper 0.025W	
1.7	最高使用電壓 (Max.Operating Voltage)			B taper 50V AC, Other taper 25V AC	
1.8	動雜音 (Rotational Noise)			Less Than 100mV	
1.9	絕緣阻抗 (Insulation Resistance)			100MΩ Min.at 250V DC	
1.10	耐電壓 (WithStand Voltage)			For 1 minute at:AC250V	
2. 機械性能 (Mechanical Characteristics)					
2.1	全回轉角度 (Rotation Angle)			300°±10°	
2.2	旋轉力矩 (Rotation Torque)			10 ~ 200gf.cm	
2.3	軸的拉、押強度 (Pull-Push Strength)			4Kgf	
2.4	轉動止檔強度 (Rotational Stop-End Torque)			2.5kgf.cm	
2.5	焊錫耐熱性 (Resistance To Soldering Heat)			260±5°C and less than 3 seconds	
3. 耐久性能 (Durability)					
3.1	回轉壽命 (Rotation Life)			10,000 Cycles min.	
4. 外形尺寸圖/曲線特性圖 (Shape size drawing/curve characteristic drawing)				見附頁 (Please see attachment)	
批 准		審 核		設 計	



外形圖 Mechanical Dimensions

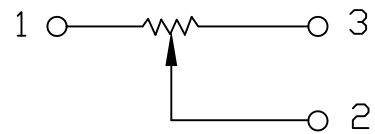
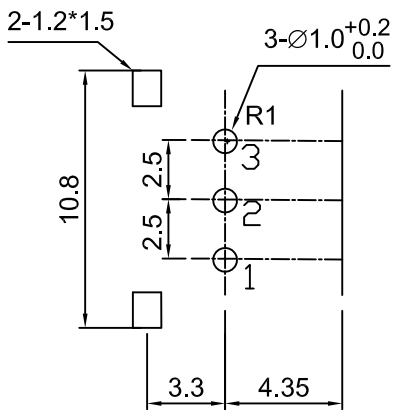


安裝孔位置圖
Mounting Hole



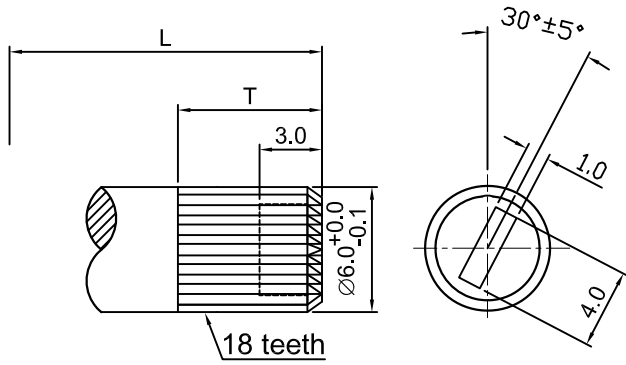
Shaft shown in full
C.C.W. position

接線圖
Circuit Explanation



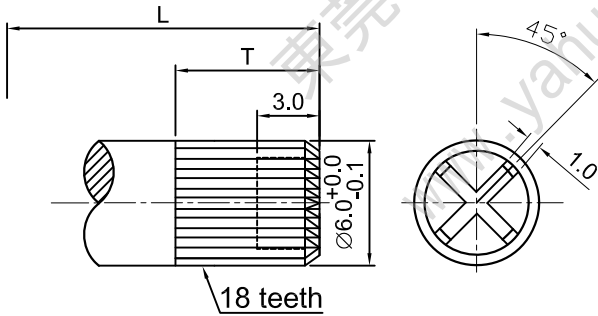
東莞市雅弧電子有限公司 DongGuan YaHu Electronic Co.,Ltd.				PRODUCT NAME	09mm Rotary Potentiometers		
2				MODEL NAME	RB0913N- <input type="checkbox"/> A1-Value X		
1							
NO	DATE	DESCRIPTION		APPROVED BY	CHECKED BY	DRAWN BY	
DIMENSION		TOLERANCE	SCALE				
$l \leq 10$		± 0.2	UNIT	mm			
$10 < l \leq 30$		± 0.5	VER.				
$30 < l \leq 100$		± 1.0	DATE	07/05/08			

RV09X1 SERIES SHAFT TYPE



Y TYPE:

X	0	2	4	6		
L	10	15	20	25		
T	7	7	7	7		



T TYPE:

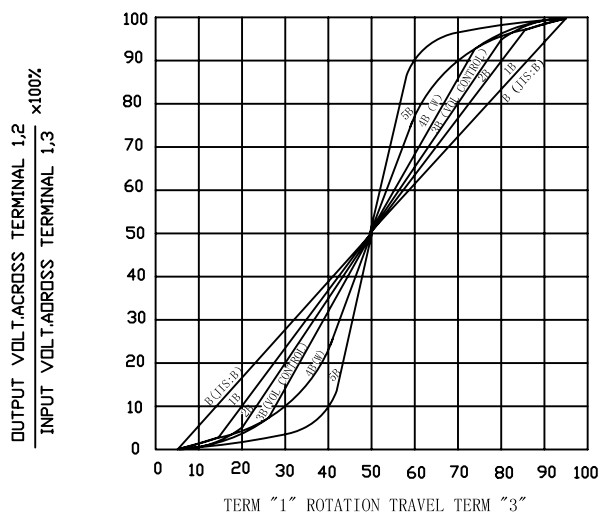
X	F	G	H	J		
L	10	15	20	25		
T	7	7	7	12		



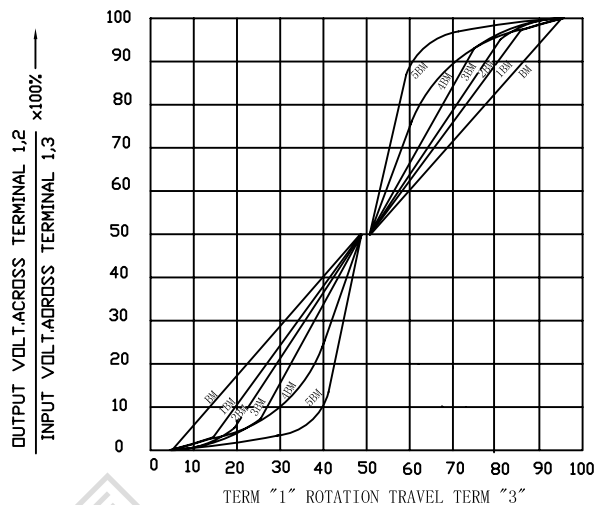
東莞市雅弧電子有限公司
DongGuan YaHu Electronic Co.,Ltd.

RESISTANCE TAPER

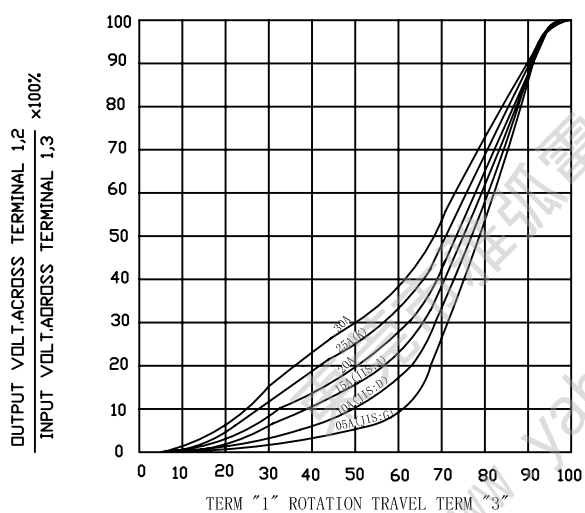
TAPER B SERIES



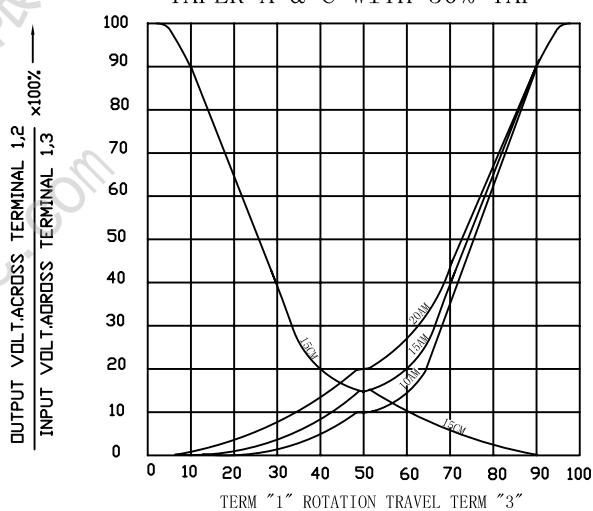
TAPER B WITH 50% TAP



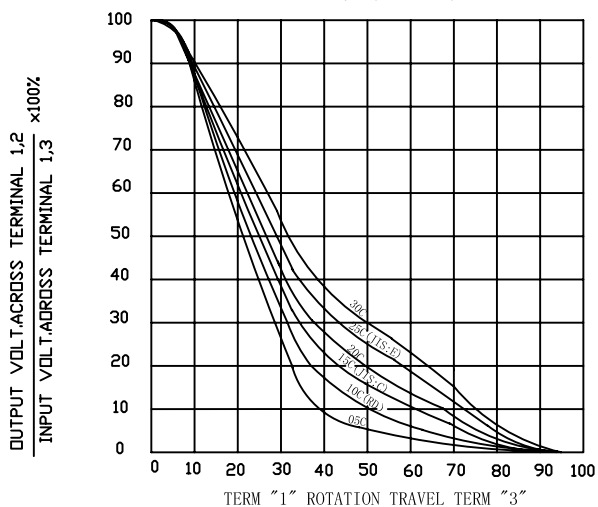
TAPER A SERIES



TAPER A & C WITH 50% TAP



TAPER C SERIES



TAPER M & N SERIES

