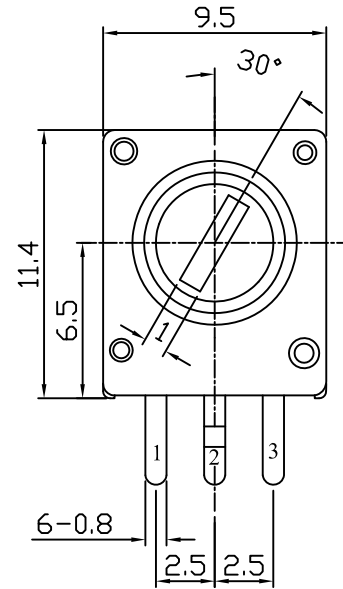
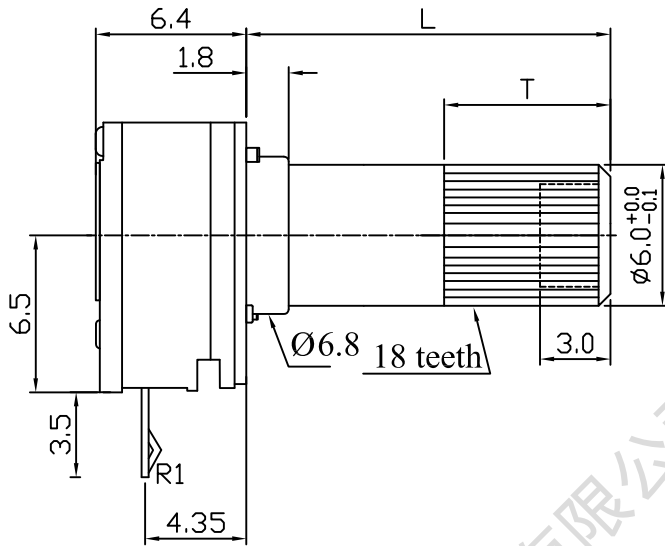


一、旋轉式電位器系列技術規格書

Rotary Series Potentiometers Technic Specifications

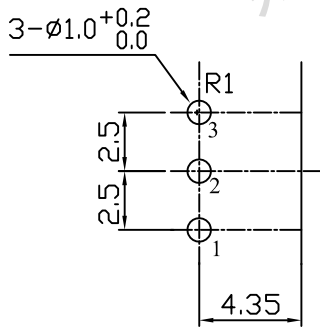
1. 電氣性能 (Electrical Characteristic)					
序号	項目			特性	
1.1	全阻抗值 (Total Resistance)			1KΩ ~ 1MΩ	
1.2	全阻抗值允許偏差 (Total Resistance Tolerance)			± 20%	
1.3	電阻隨溫度變化特性 (Resistance of temperature change character)			20°C ~ 75°C: $\Delta R/R \leq \pm 5\%$, -25°C ~ 20°C: $\Delta R/R \leq \pm 4.5\%$	
1.4	阻值變化特性 (Resistance Taper)			A, B, C	
1.5	零位阻值 (Residual Resistance)			$R > 250K\Omega$ 0.1% max. of total resistance $250K\Omega > R > 10K\Omega$ 20Ω $10K\Omega \geq R$ 10Ω max.	
1.6	額定功率 (Rated Power)			Taper B: 0.05W Other taper: 0.025W	
1.7	最高使用電壓 (Max. Operating Voltage)			AC 22V	
1.8	動雜音 (Rotational Noise)			Less than 100mV	
1.9	絕緣阻抗 (Insulation Resistance)			50MΩ	
1.10	耐電壓 (WithStand Voltage)			For 1 minute at: AC 250V	
1.11	同步誤差 (Gang Error)			/	
2. 機械性能 (Mechanical Characteristics)					
2.1	全回轉角度 (Rotation Angle)			300° ± 10°	
2.2	旋轉力矩 (Rotation Torque)			20 ~ 200gf.cm	
2.3	軸的拉、押強度 (Pull-Push Strength)			4Kgf	
2.4	轉動止檔強度 (Rotational Stop-End Torque)			2.5kgf.cm	
2.5	旋轉定位數目 (Number of Detents click)			/	
2.6	焊錫耐熱性 (Resistance To Soldering Heat)			$260 \pm 5^\circ\text{C}$ and less than 3 seconds	
3. 耐久性能 (Durability)					
3.1	回轉壽命 (Rotation Life)			10,000 Cycles min.	
4. 外形尺寸圖 / 曲線特性圖 (Shape size drawing / curve characteristic drawing)				見附頁 (Please see attachment)	
批 准		審 核		設 計	

外形圖 Mechanical Dimensions

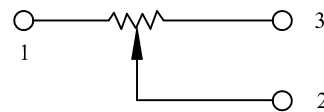


Shaft shown in full C.C.W. position

安裝孔位置圖
Mounting Hole



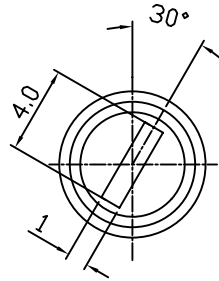
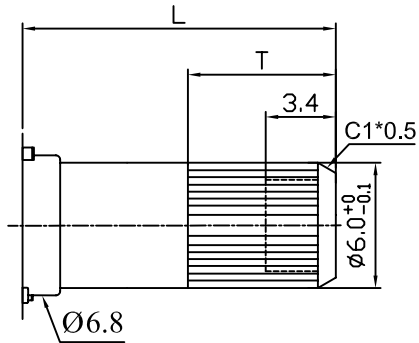
接線圖
Circuit Explanation



3				PRODUCT NAME	Rotary Potentiometers		
2				MODEL NAME	R0911N- <input type="checkbox"/> A1-Value X		
1				APPROVED BY	CHECKED BY	DRAWN BY	
NO	DATE	DESCRIPTION					
		DIMENSION	TOLERANCE	SCALE			
		$l \leq 10$	± 0.2	UNIT	mm		
		$10 < l \leq 30$	± 0.5	VER.			
		$30 < l \leq 100$	± 1.0	DATE	07/10/08		

R & D
 2011.10.08
 Lisa

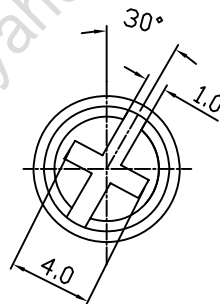
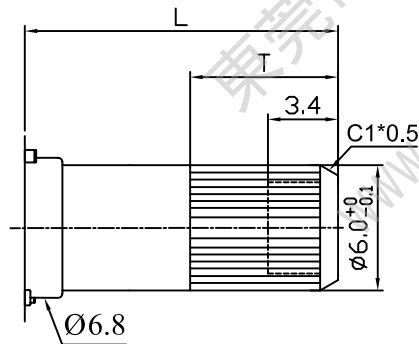
R09X1 SERIES SHAFT TYPE



Y TYPE:

X	0	2	4	6	
L	10	15	20	25	
T	7	7	7	12	

Shaft shown in full
C.C.W. position



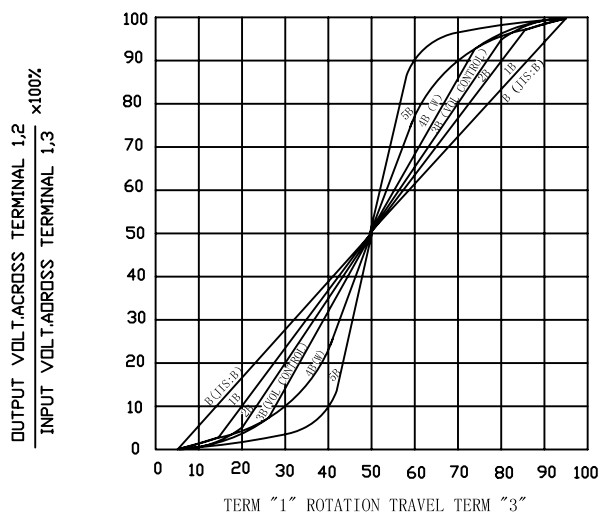
T TYPE:

X	F	G	H	J	
L	10	15	20	25	
T	7	7	7	12	

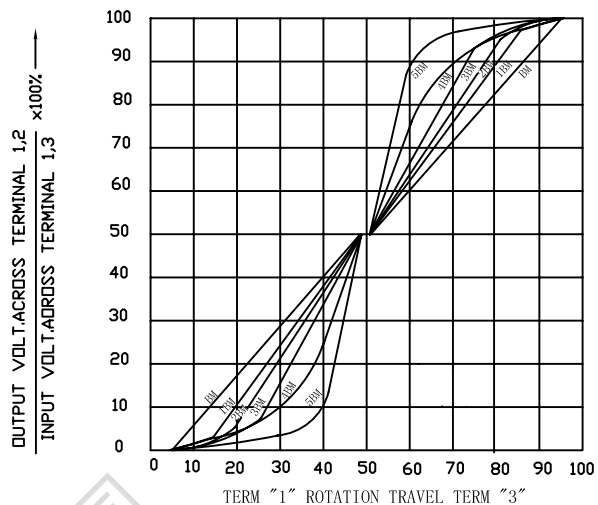
Shaft shown in full
C.C.W. position

RESISTANCE TAPER

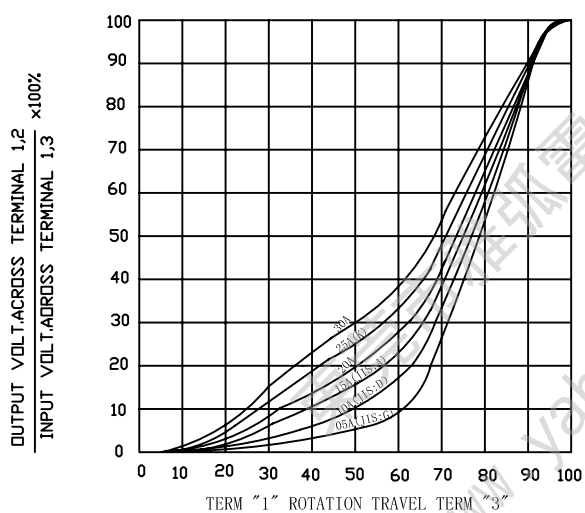
TAPER B SERIES



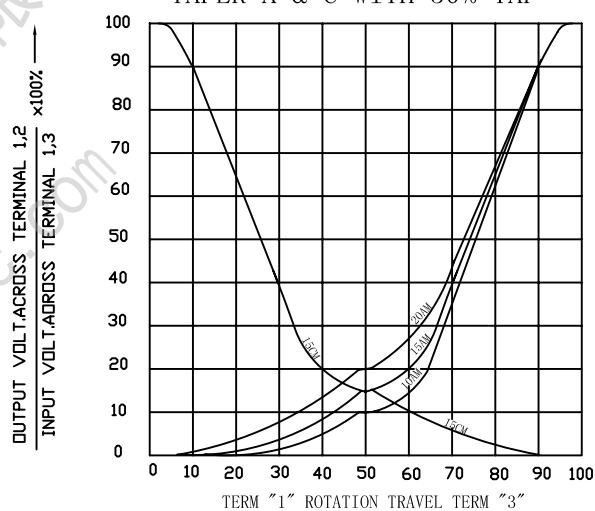
TAPER B WITH 50% TAP



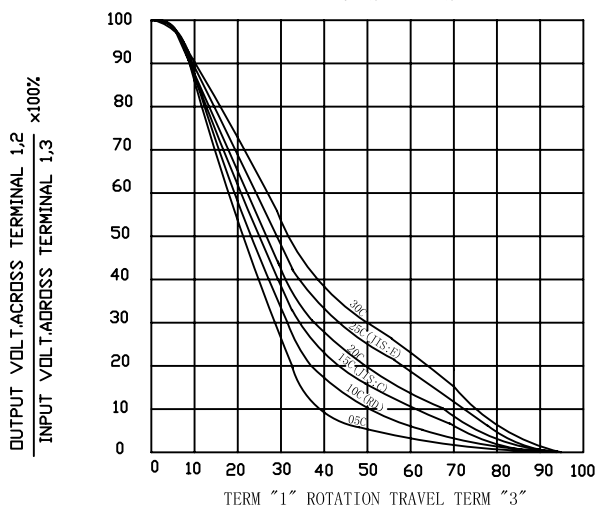
TAPER A SERIES



TAPER A & C WITH 50% TAP



TAPER C SERIES



TAPER M & N SERIES

