



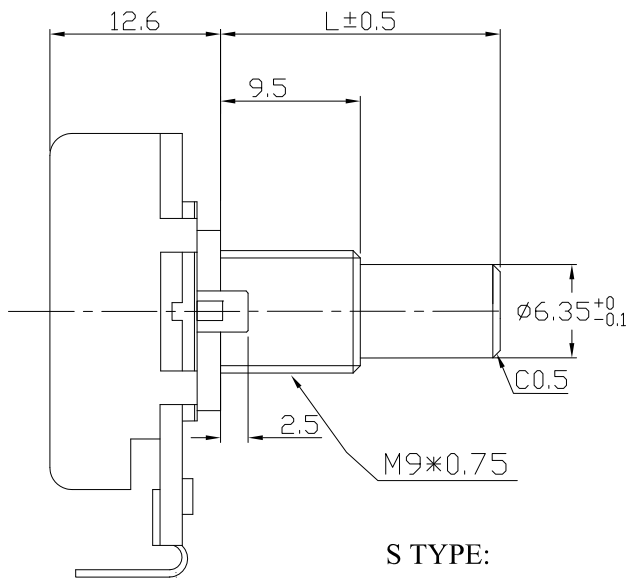
一、旋轉式電位器系列技術規格書

Rotary Series Potentiometers Technic Specifications

1. 電氣性能 (Electrical Characteristic)				
序号	項目			特性
1.1	全阻抗值 (Total Resistance)			1KΩ~2MΩ
1.2	全阻抗值允許偏差 (Total Resistance Tolerance)			±10%,±20%
1.3	電阻隨溫度變化特性 (Resistance of temperature change character)			20°C-75°C:ΔR/R≤±5%, -25°C-20°C:ΔR/R≤±4.5%
1.4	阻值變化特性 (Resistance Taper)			A, B, C
1.5	零位阻值 (Residual Resistance)			R≥250KΩ 0.1%max.of total resistance 250KΩ>R>10KΩ 20Ω 10KΩ≥R 10Ω max.
1.6	額定功率 (Rated Power)			Curve B:0.5W Other than B:0.25W
1.7	最高使用電壓 (Max.Operating Voltage)			AC 150V
1.8	動雜音 (Rotational Noise)			Less Than 100mV
1.9	絕緣阻抗 (Insulation Resistance)			More than 100MΩ at DC500V
1.10	耐電壓 (Withstand Voltage)			1 minute at:500V AC
1.11	開關額定功率(Switch Rated Power)			/
2. 機械性能 (Mechanical Characteristics)				
2.1	全回轉角度 (Rotation Angle)			300°±10°
2.2	旋轉力矩 (Rotation Torque)			20 ~ 200gf.cm
2.3	軸的拉、押強度 (Pull-Push Strength)			7Kgf
2.4	轉動止檔強度 (Rotational Stop-End Torque)			5kgf.cm
2.5	焊錫耐熱性 (Resistance To Soldering Heat)			260±5°C and less than 3 seconds
2.6	開關旋轉角度 (Switch Rotational angle)			/
2.7	開關操作力 (Switch Action)			/
3. 耐久性能 (Durability)				
3.1	使用溫度(Operating Temperature Range)			-10°C ~ +70°C
3.2	回轉壽命 (Rotation Life)			10,000Cycles
4. 外形尺寸圖/曲線特性圖 (Shape size drawing/curve charcteristic drawing)				見附頁 (Please see attachment)
批 准		審 核		設 計
				

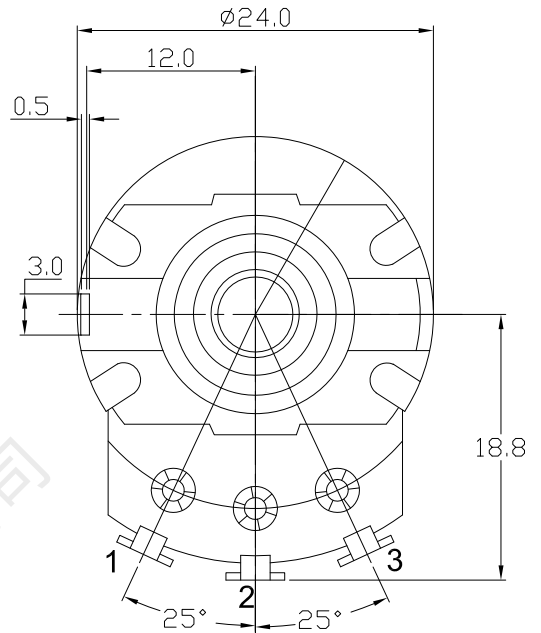


外形图 Mechanical Dimensions



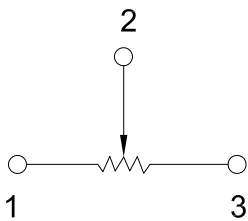
S TYPE:

L	15	20	25	30
---	----	----	----	----

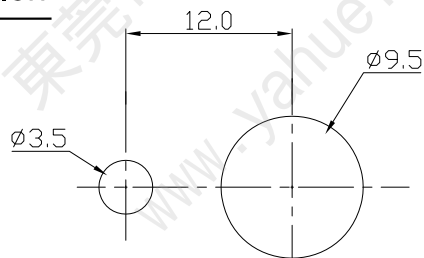


Shaft shown in full C.C.W. position

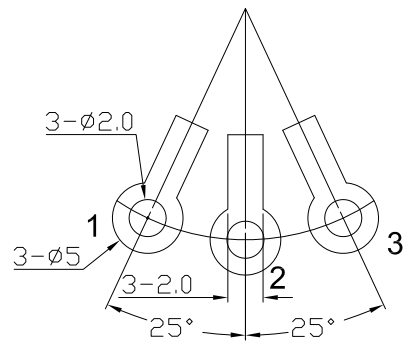
接线图 Circuit Explanation



孔位安装图 Mounting Hole



Terminal



东莞市雅弧电子有限公司
DongGuan YaHu Electronic Co.,Ltd.

PRODUCT NAME

24MM Rotary Potentiometers

MODEL NAME

RV2410N1- \square L B1-M9/6.35-***

APPROVED BY

CHECKED BY

DRAWN BY

DIMENSION

TOLERANCE

SCALE

UNIT

mm

$l \leq 10$

± 0.2

UNIT

$10 < l \leq 30$

± 0.5

VER.

$30 < l \leq 100$

± 1.0

DATE

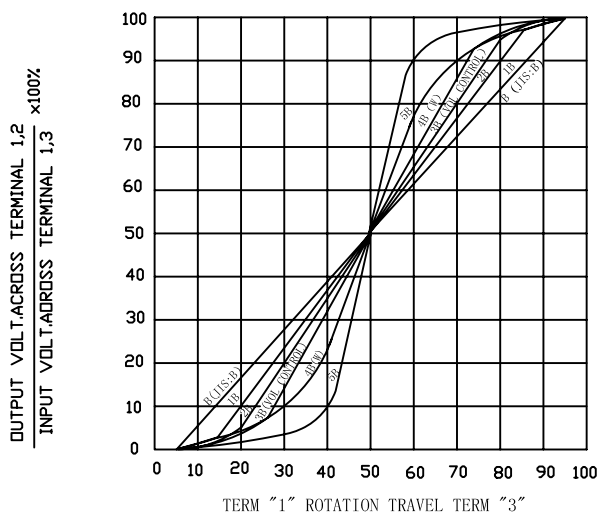
13/01/23

R & D
2014.05.16
Lisa

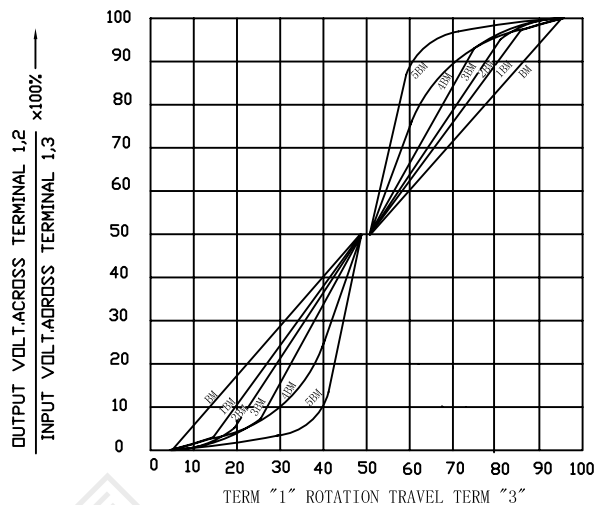


RESISTANCE TAPER

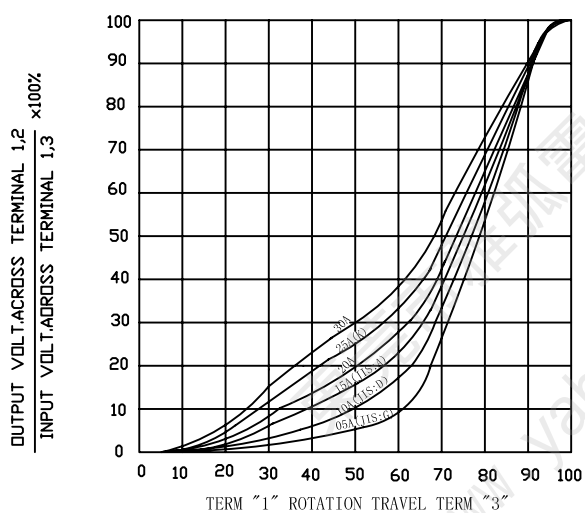
TAPER B SERIES



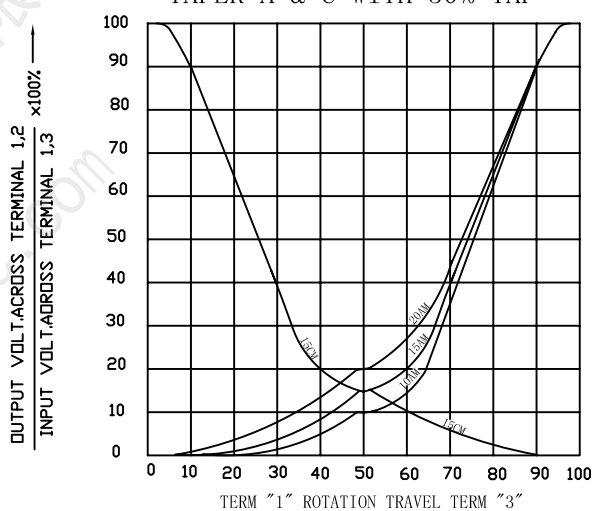
TAPER B WITH 50% TAP



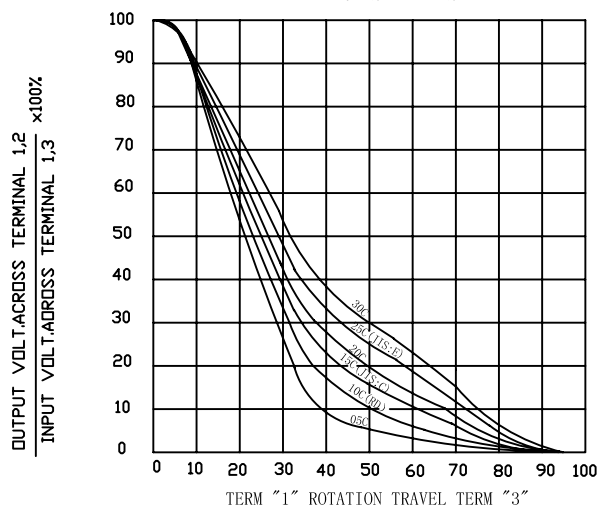
TAPER A SERIES



TAPER A & C WITH 50% TAP



TAPER C SERIES



TAPER M & N SERIES

