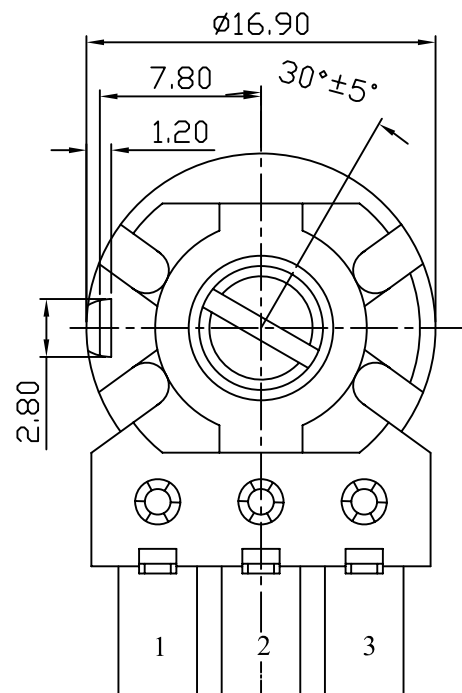
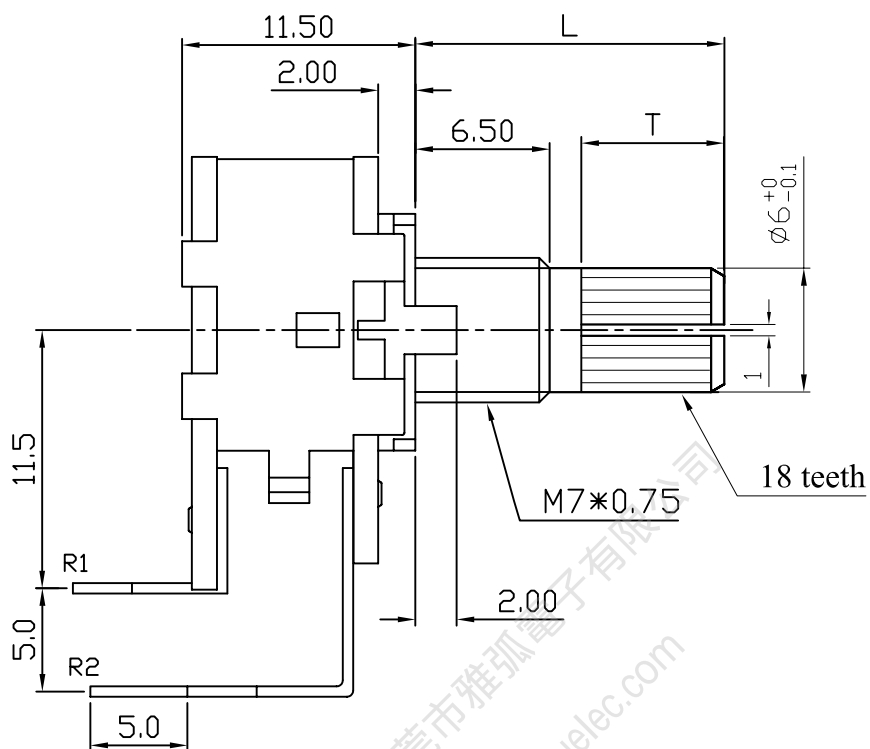


# 一、旋轉式電位器系列技術規格書

## Rotary Series Potentiometers Technic Specifications

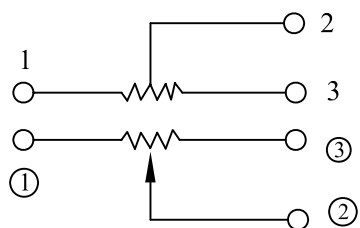
1. 電氣性能 (Electrical Characteristic)				
序号	項目		特性	
1.1	全阻抗值 (Total Resistance)		1KΩ~1MΩ	
1.2	全阻抗值允許偏差 (Total Resistance Tolerance)		±20%	
1.3	電阻隨溫度變化特性 (Resistance of temperature change character)		20℃~75℃: $\Delta R/R \leq \pm 5\%$ , -25℃~20℃: $\Delta R/R \leq \pm 4.5\%$	
1.4	阻值變化特性 (Resistance Taper)		A、B、C	
1.5	零位阻值 (Residual Resistance)		$R \geq 250K\Omega$ 0.1%max. of total resistance $250K\Omega > R > 10K\Omega$ 20Ω $10K\Omega \geq R$ 10Ω max.	
1.6	額定功率 (Rated Power)		Curve B: 0.2W Other than B: 0.1W	
1.7	最高使用電壓 (Max. Operating Voltage)		AC 150V	
1.8	動雜音 (Rotational Noise)		Less Than 100mV	
1.9	絕緣阻抗 (Insulation Resistance)		More than 100MΩ at DC500V	
1.10	耐電壓 (WithStand Voltage)		1 minute at: 500V AC	
1.11	同步誤差 (Gang Error)		0dB~-40dB $\leq 3dB$	
2. 機械性能 (Mechanical Characteristics)				
2.1	全回轉角度 (Rotation Angle)		300° ± 10°	
2.2	旋轉力矩 (Rotation Torque)		20~150gf.cm	
2.3	軸的拉、押強度 (Pull-Push Strength)		6Kgf	
2.4	轉動止檔強度 (Rotational Stop-End Torque)		5kgf.cm	
2.6	焊錫耐熱性 (Resistance To Soldering Heat)		260±5℃ and less than 3 seconds	
2.7	定位點位置 (Click Position)		□1C, □41C	
2.8	開關操作力 (Switch Action)		/	
3. 耐久性能 (Durability)				
3.1	使用溫度 (Operating Temperature)		-10℃~+70℃	
3.2	回轉壽命 (Rotation Life)		10,000Cycles	
4. 外形尺寸圖/曲線特性圖 (Shape size drawing/curve characteristic drawing)			見附頁 (Please see attachment)	
批 准		審 核		設 計
				

# 外形圖 Mechanical Dimensions

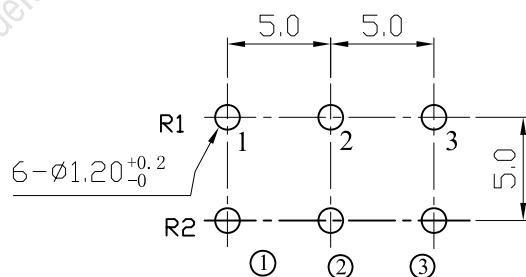


Shaft shown in full C.C.W. position

接線圖  
Circuit Explanation



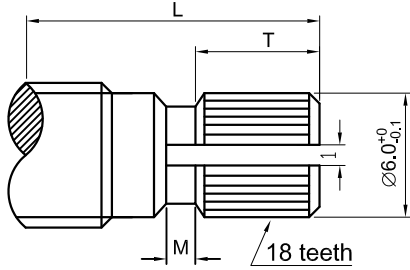
安裝孔位置圖  
Mounting Hole



3				PRODUCT NAME	Rotary Potentiometers		
2				MODEL NAME	RV1610G- <input type="checkbox"/> D1-Value		
1				APPROVED BY	CHECKED BY	DRAWN BY	
NO	DATE	DESCRIPTION					
		DIMENSION	TOLERANCE	SCALE			
		$l \leq 10$	$\pm 0.2$	UNIT			
		$10 < l \leq 30$	$\pm 0.5$	VER.			
		$30 < l \leq 100$	$\pm 1.0$	DATE			
				07/06/07			

R & D  
2014.01.15  
Lisa

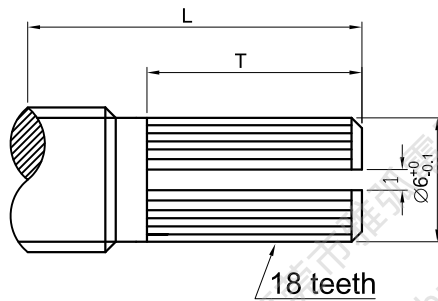
# RV1610N/G SERIES SHAFT TYPE



车床轴

KQ TYPE:

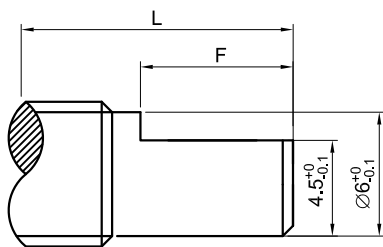
X	0	1	2	3	4	5	6	
L	10	12	15	17	20	25	30	
T	1.5	3.5	6.0	7.0	10	14	19	
M	0.5	0.5	1.0	1.5	2	2	2	



压铸轴

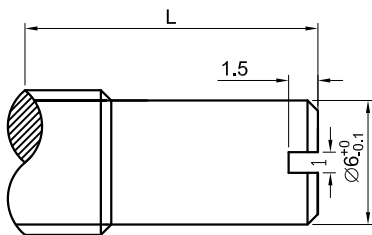
KQ TYPE:

X	0	1	2	3	4	5	6	
L	10	12	15	17	20	25	30	
T	1.5	3.5	6.5	8.5	11.5	14	19	



F TYPE:

X	A	C	D	E	G	
L	15	20	25	30	12	
F	7	12	12	12	3.5	

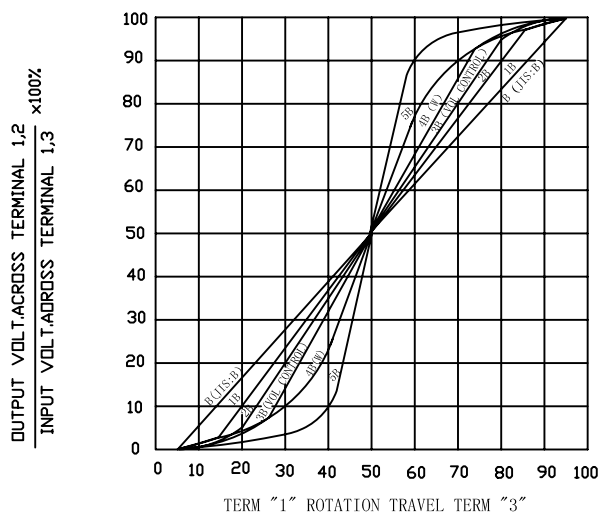


S TYPE:

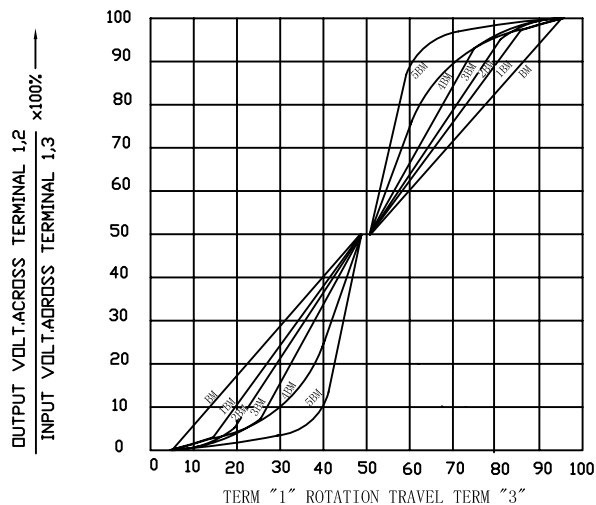
X	P	Q	R	S	T	
L	10	15	20	25	30	

# RESISTANCE TAPER

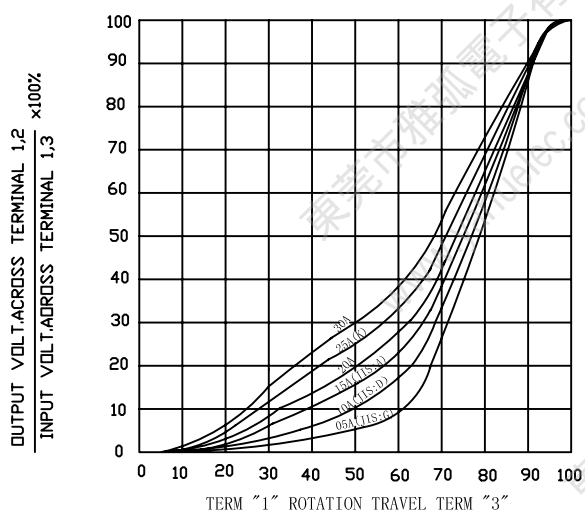
### TAPER B SERIES



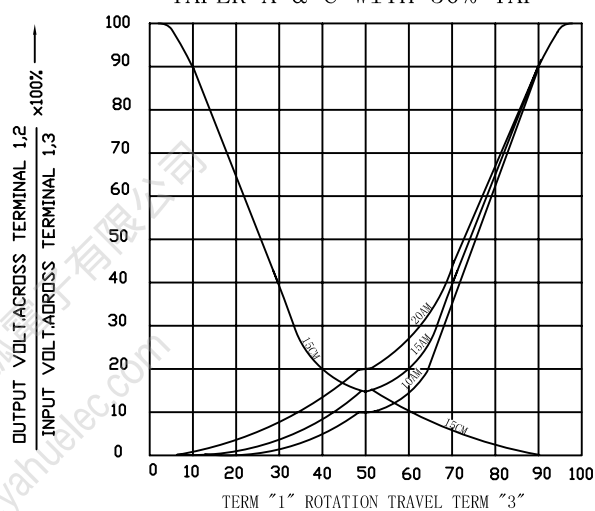
### TAPER B WITH 50% TAP



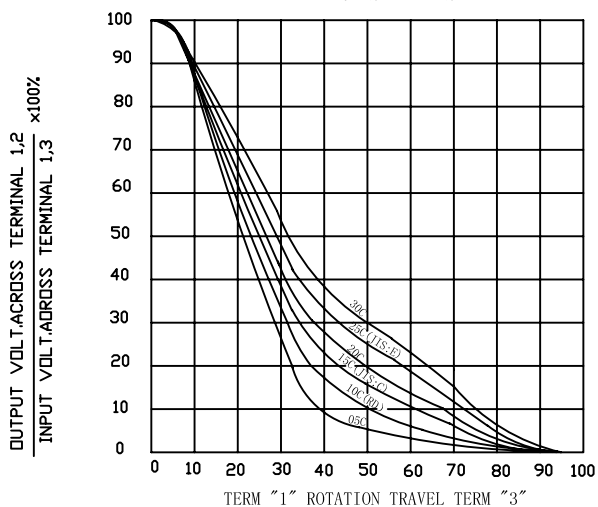
### TAPER A SERIES



### TAPER A & C WITH 50% TAP



### TAPER C SERIES



### TAPER M & N SERIES

